



**HYDRA  
INTEGRATED**  
ENERGY SERVICES LIMITED



ISO 9001

**BUREAU VERITAS**  
Certification




008



# CONTENTS

INTRODUCTION	2
WHO WE ARE	3
OUR SERVICES	4
OUR ASSETS	12
OUR COMMITMENTS	21



# H

“Engineers participate in the activities which makes the resources of nature available in a form beneficial to man, and provide systems which will perform optimally and economically”

L.M.K Boelter (1957)



# WHO WE ARE

We are an indigenous, ISO 9001:2015 certified organization established to provide the entire range of integrated services in Engineering, Procurement, Construction, Pipeline Laying/Maintenance and Project Management services to the Oil and Gas industry in Nigeria. We are committed to being the preferred company for Oil and Gas support services and solutions in Nigeria.

Our headquarters is strategically located in the heart of Lekki, Lagos State, built with the capacity to accommodate over 80 employees and our expanding operational base is in Port Harcourt, Rivers State. We have state-of-the-art facilities and up to date technology installed in line with Quality Health Safety and Environment (QHSE) standards, towards growth of company and the economy.

This ensures employees are properly equipped with productive and the right professional skills, while working in a safe and healthy environment towards a collective growth.

## OUR VISION

To be a global EPC organization supporting the Oil and Gas, Construction and Energy sectors.

## OUR MISSION

Our Mission is to create value by providing quality services and assuring our stakeholders of prompt project delivery and best professional practice.



# OUR SERVICES

Construction

Conceptual, Feasibility Study, FEED, and  
Detailed Engineering Design Services

Pipeline Laying and Maintenance Services

3D Laser Scanning, Vector Conversion and

Associated Services

Procurement and Logistics Services

Project Management Services

Technical Manpower Supply Services

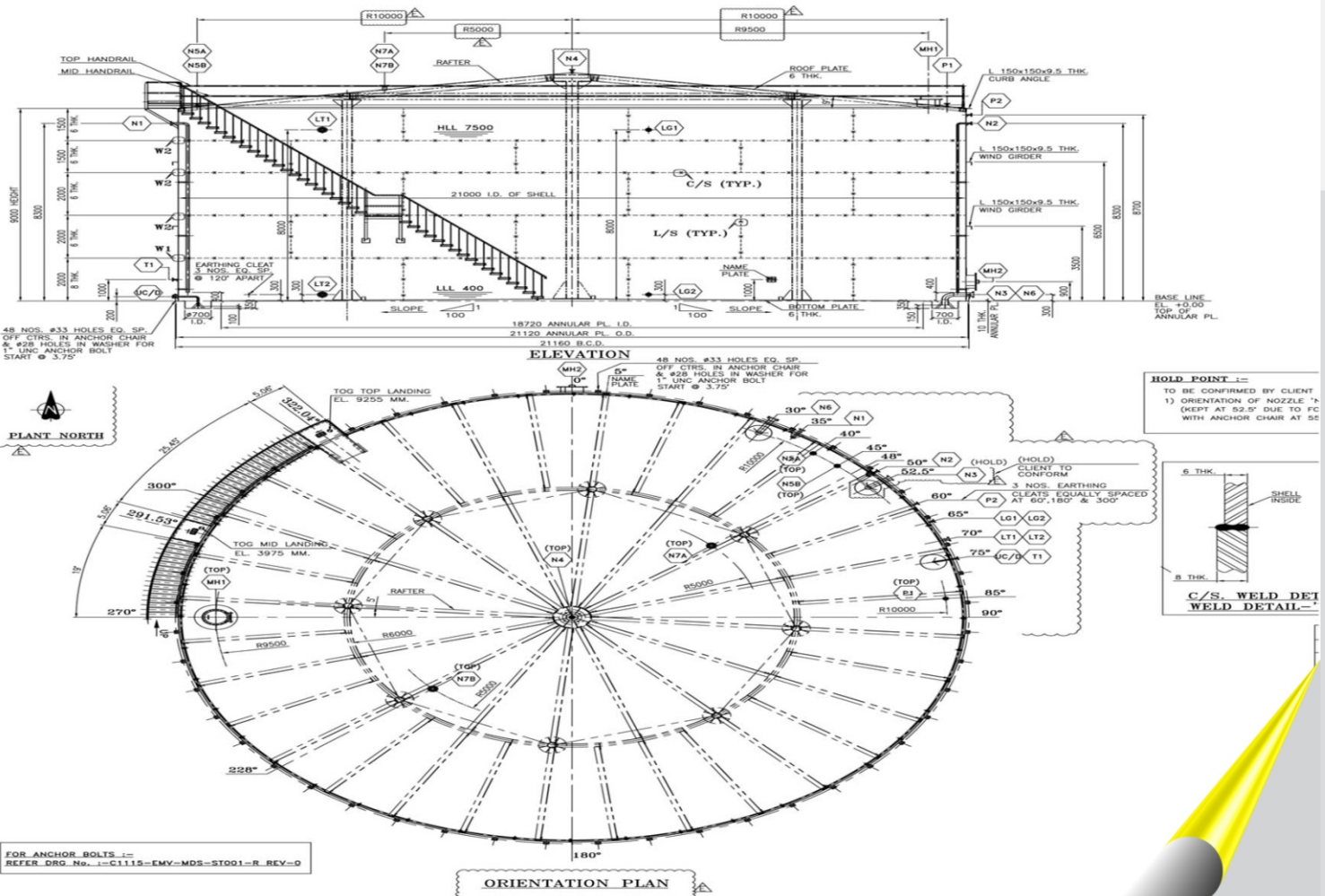
# CONSTRUCTION

Our Team has become the preferred choice for clients as they rely not only on our technical knowledge to adequately analyze their project requirements before initiating capital investments, but to also manage all facets of their projects from inception to completion with accuracy, within scope of the project and in good time.



# CONCEPTUAL, FEASIBILITY STUDY, FEED, AND DETAILED ENGINEERING DESIGN SERVICES

Our core competence is in the multi-faceted engineering for project concept selection and feasibility analysis for our clients in the Power, Petrochemical and Chemicals, Infrastructure and Oil and Gas sectors. Our engineering design services range from the planning stage, preliminary and detailed design to start-up and commissioning for all types of projects.



# PIPELINE LAYING AND MAINTENANCE SERVICES

Our Engineering Team is comprised of highly experienced professionals with extensive experience in all facets of integrated pipeline maintenance. Our services ranges from inline inspection through to pipeline pigging, gauging, cleaning and repair as well as risk based inspection regimes and fitness for service evaluations at the most cost effective option.





# PROCUREMENT AND LOGISTICS

At HYDA , we offer top of the range procurement and logistics services to the Oil and Gas industry. Our Procurement Team has contributed to the successful execution of orders for equipment and materials through strategic sourcing, contract management and efficient logistics.



# PROJECT MANAGEMENT SERVICES

We have been established to advise, manage and execute your most complex projects with outstanding quality, safety and environmental standards while meeting our client's cost, schedule and quality targets. With our experienced project team and strict adherence to best practices; we assist our clients in every possible way to achieve their business objectives.



# 3D LASER SCANNING, VECTOR CONVERSION AND ASSOCIATED SERVICES

HYDRA provides accurate scanning range and point density for Industry Professionals needed for proper capturing of data in challenging work environs. Our accurate data from 3D scanning can provide precise and error proof tank measurements for fabrication projects.



# TECHNICAL MANPOWER SUPPLY SERVICES

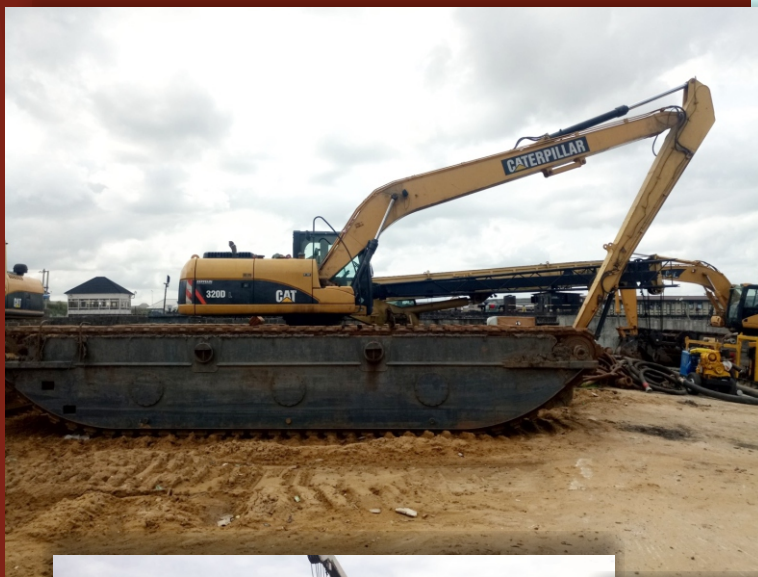
We supply well-trained Technical professionals to offer manpower services to our clientele. With their consummate experience spanning decades of Project Management, Engineering, Procurement and Construction briefs + Health and Safety certifications, our team offers the best manpower requirements in the Industry.



# OUR ASSETS

# ROBUST EQUIPMENT AND TECHNOLOGY INFRASTRUCTURE

We have a wide range of specialized equipment for the construction, installation and maintenance of a variety of structures. This has made us the preferred choice and, put us ahead of our competitors. Our equipment are state-of-the-art and compliant with the latest international standard requirements and technology.



SN	EQUIPMENT	MODEL	DESCRIPTION
1	SWAMP BUGGY (8Nos)	CAT 322C CAT 320C	3 Nos Short Arm 5 Nos Long Arm
2	PIPE LAYBARGE (4Nos)	800 Tons	Each complete with welding equipment, generators, cranes, darkroom, office space
3	RAMPBARGE (4Nos)	800 Tons	
4	1 HOUSEBOAT	60 MAN	Fully equipped with muster barge, generator barge, and other ancillary equipment
5	GAS DETECTOR (4Nos)	MICROCLIP BW GASALERT X3	
6	GPS DEVICE (2Nos)	GARMIN	
7	ELECTRIC WELDING MACHINES (12Nos)	GOLD STAR 602	
8	SELF POWERED WELDING MACHINES (4Nos)	MILLER BIG BLUE 500D	
9	CRANES (4Nos)	Various	20/30 TON
10	GENERATORS (6Nos)	JMG	DIESEL/ 100KVA

# HUMAN CAPITAL

At HYDRA INTEGRATED ENERGY SERVICES LIMITED, we recognize that human capital is our most valuable asset. We are therefore positioned to take the lead in this industry with our highly innovative, professional and multi-cultural workforce, who bring to every project their unique and consummate experience.

We encourage our team with our Open Door Policy to sustain an atmosphere for continued creative collaboration and excellent self/team development.









# Management Team

## Engr. Chukwuzube Ilodiana

Managing Director/Chief Executive Officer

With over 26 years of Oil and Gas experience, Zube serves as the Chief Executive Officer (CEO) and Managing Director. Prior to assuming his current position, Zube has served in various management capacities at Cakasa Company Limited championing various developments in the industry through the execution of high level projects. His Oil and Gas experience includes Project Quality Management, Construction Management and Engineering Design.

Zube is an astute leader skilled at providing technical directions as well as harnessing organization talents towards adding significant value not only to the company but to the industry ultimately. He is COREN registered, Member Nigerian Society of Engineers and possesses various professional certifications.

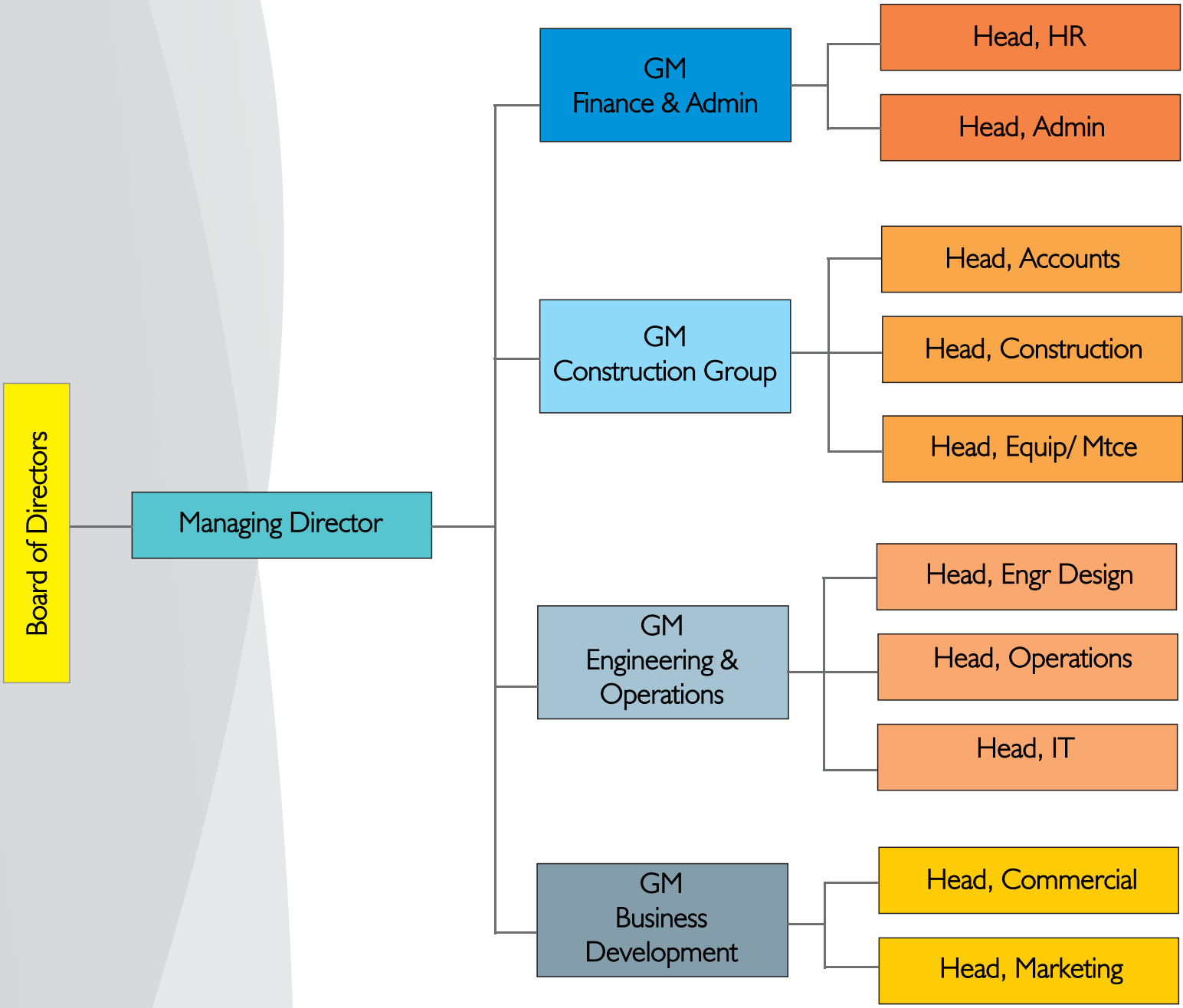
## Mr. Tesleem Lawal

Chief Financial Officer

Tesleem is a result oriented and passionate business analyst with expertise in Finance and Strategy on a global level. With 20 years of finance experience, Tesleem has brought the wealth of his experience into his office as the CFO at HYDRA Integrate Energy Services Limited. His scope of experience traverses Performing System Implementation, Budget, Treasury, Financial Control and Analysis.

He holds a first degree in Statistics and he is also a member of the Nigerian Institute of Management (NIM).

# Company Organogram



# EXECUTED PROJECTS

Our Project Team have fully delivered on the following projects

SN	PROJECT TITLE	LOCATION
1	Pipeline laying (4" & 6"), flowline repairs/ replacements with Nembe Creek flowlines - AITEO	Nembe Creek repair, Odeama leak repair, Wells 8s, Wells 8L, Wells 68T, Wells 69T, Nembe 2 Shutdown, Wells 64T
2	Cathodic Protection Restoration Survey - AITEO	Nembe Flowstation (1,2,3 & 4), SBAR Flowstation, ODEC Flowstation
3	Soil Integration - AITEO	Tora Manifold LACT Unit Site
4	Boundary re-opening/Survey works - AITEO	SBAR 1 & 2 Location and Flowline, Well 7, 16 & 27 Location & Flowline, Well 75 Location & Flowline.
5	Minor Mechanical and Structural works - AITEO	16" Suction Header repair
6	Provision of Ammonia Tank Conformity Assessment for PARESA (WA) LTD.	Dangote Fertilizer Plant, LEKKI FTZ
7	Ammonia Tank calibration works using 3D Laser scanner - CAKASA	Dangote Fertilizer Plant, FTZ LEKKI
8	Nembe Creek Trunkline (NCTL) 30"/24" Pipeline repairs, removal of illegal bunkering connections & clamping works - AITEO	Bille, Elem-Kalabari, Owangai, Bille, Awoba, Boro, Elem-Kalabari/ Creek 6/ KM45 amongst other locations
9	Building/ Procurement of a 250,000 BPD LACT unit	AITEO NCTL

# OUR COMMITMENT

Commitment to Local Content

Commitment to Health and Safety

Commitment to Quality

Commitment to Social Responsibility



# COMMITMENT TO LOCAL CONTENT

## (NIGERIAN CONTENT POLICY)

We remain committed to carrying out our operations in line with the provisions of the Nigerian Local Content Act as well as the Nigerian Oil and Gas Industry Content Development Act.

We have been able to do so by maximizing the local capacities and capabilities utilization such as collaborating with local vendors, contractors and suppliers as well as ensure that the welfare of the local host communities is guaranteed through the employment of skilled and unskilled personnel in our host communities



# COMMITMENT TO HEALTH AND SAFETY

## (HEALTH SAFETY AND ENVIRONMENTAL POLICY)

We are committed to conducting all our business processes and activities in a socially responsible manner to protect the health, well-being and safety of our employees, the communities and environment while exceeding our Customers and Stakeholders expectations.

We have been able to sustain our commitment through the active participation of Management as well as employees at all levels.





# COMMITMENT TO QUALITY

## (QUALITY POLICY)

At HYDRA INTEGRATED ENERGY SERVICES LIMITED, we are committed to providing Project Management, Engineering, Procurement, Construction, Installation and Maintenance Services that conform to applicable contractual, statutory and regulatory requirements in order to achieve and enhance the satisfaction of our interested parties. Furthermore, we equally strive to continually improve on our Quality Management processes taking into consideration the organizational strategic directions.

This we are committed to achieve in accordance with the standards of ISO 9001:2015.




# COMMITMENT TO SOCIAL RESPONSIBILITY...

HYDRA's commitment to social responsibility is vital to the achievement of our vision and mission statements. Our projects brings together the best local and international Professionals in the Engineering, Procurement and Construction fields. We collaborate with all our partners and associates to improve the standards of living of our host communities which provides an avenue for collective growth.

We also look towards providing social amenities and scholarships to deserving communities as the need arises, to ensure we are well invested and involved in their growth and development.



## CONTACT:

 Lagos Address  
Block 23, Jerry Iriabe Street,  
Off Admiralty Way,  
Lekki Phase I  
Lagos State

 Port-Harcourt Address  
20, Vero Street  
Off Peter Odili Road,  
Trans Amadi, Port-Harcourt  
Rivers State

 +234 802 311 8050  
+234 909 863 1556  
+234 909 863 1555  
[info@hydrang.com](mailto:info@hydrang.com)

**BUREAU VERITAS**  
Certification



## **HYDRA INTEGRATED ENERGY SERVICES LIMITED**

Head Office: 23 JERRY IRIABE STREET, LEKKI PHASE 1, LAGOS STATE.

This is a multi-site certificate, additional site(s) are listed on the next page(s)

*Bureau Veritas Certification Holding SAS – UK Branch certifies that the Management System of the above organisation has been audited and found to be in accordance with the requirements of the management system standards detailed below*

### **ISO 9001:2015**

*Scope of certification*

#### **PROVISION OF ENGINEERING, INSTALLATION, CONSTRUCTION, MAINTENANCE AND PROCUREMENT SERVICES**

Original cycle start date:	<b>18-MAR-2019</b>
Expiry date of previous cycle:	<b>N/A</b>
Certification Audit date:	<b>19-DEC- 2018</b>
Certification cycle start date:	<b>18 -MAR- 2019</b>

Subject to the continued satisfactory operation of the organization's Management System, this certificate expires on: **17-MAR- 2022**

**Certificate No. IND19.11067 UIQ** Version: **No.1** Revision date: **18-MAR-2019**

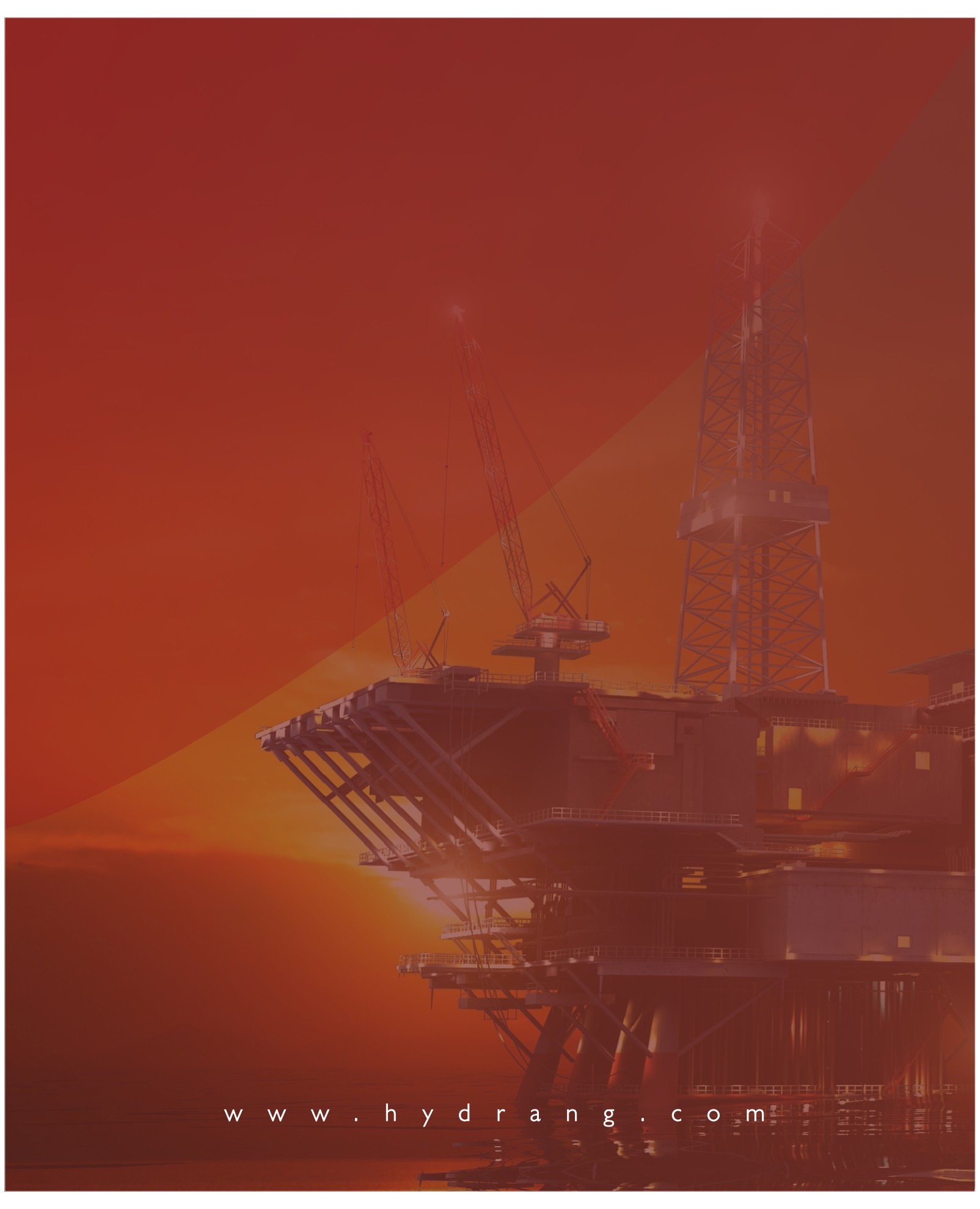
Certification body address: 5<sup>th</sup> Floor, 66 Prescott Street, London E1 8HG, United Kingdom  
Local office: 11, Niger Street, Parkview, Ikoyi Lagos, Nigeria.



0008

Further clarifications regarding the scope of this certificate and the applicability of the management system requirements may be obtained by consulting the organisation. To check this certificate validity please call: +234-8099904340





w w w . h y d r a n g . c o m